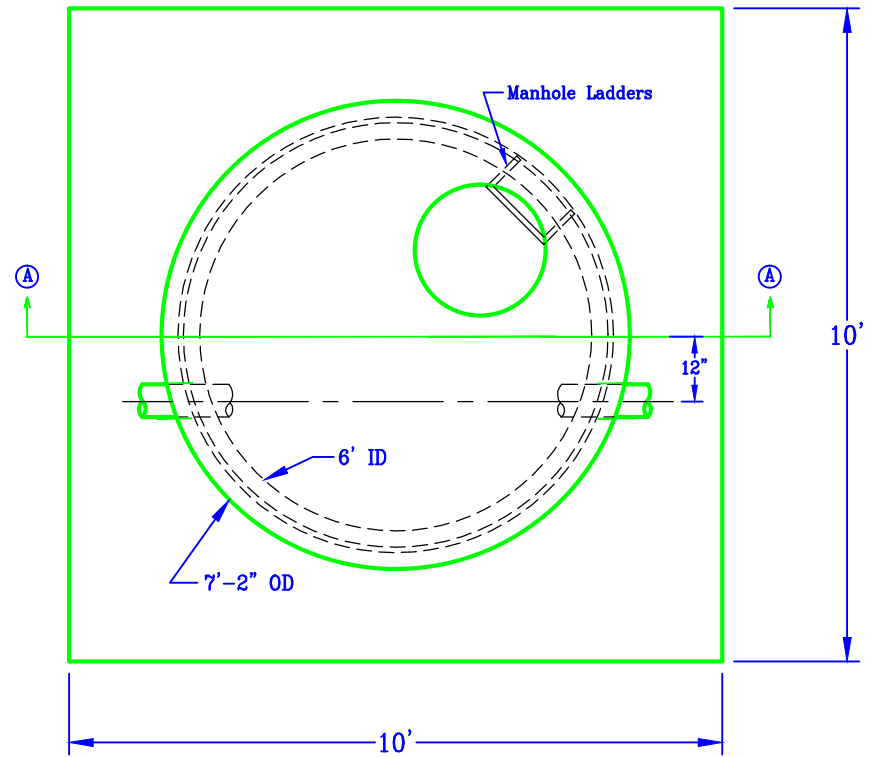


SECTION A-A



PLAN VIEW

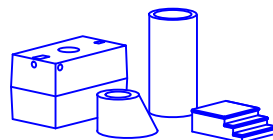
NOTES:

1. Concrete Compressive Strength:
4000 PSI @ 28 days.
2. Designed for H-20 Wheel Loading.
3. Conforms to ASTM-C478 Specifications.
4. Reinforced to .12 in.sq./LF.
5. Polypr. MH Ladders @ 12" O.C.
6. Manhole Joints Sealed with Butyl Rubber.

Aroosta Cast, Inc.

217 Parsons Road
Presque Isle, ME 04769

Tel/Fax: 207-764-0077 Email: sales@aroostacast.com



DRAWING:

6' ID Air Release MH

SCALE: NTS

PAGE 1 OF 1